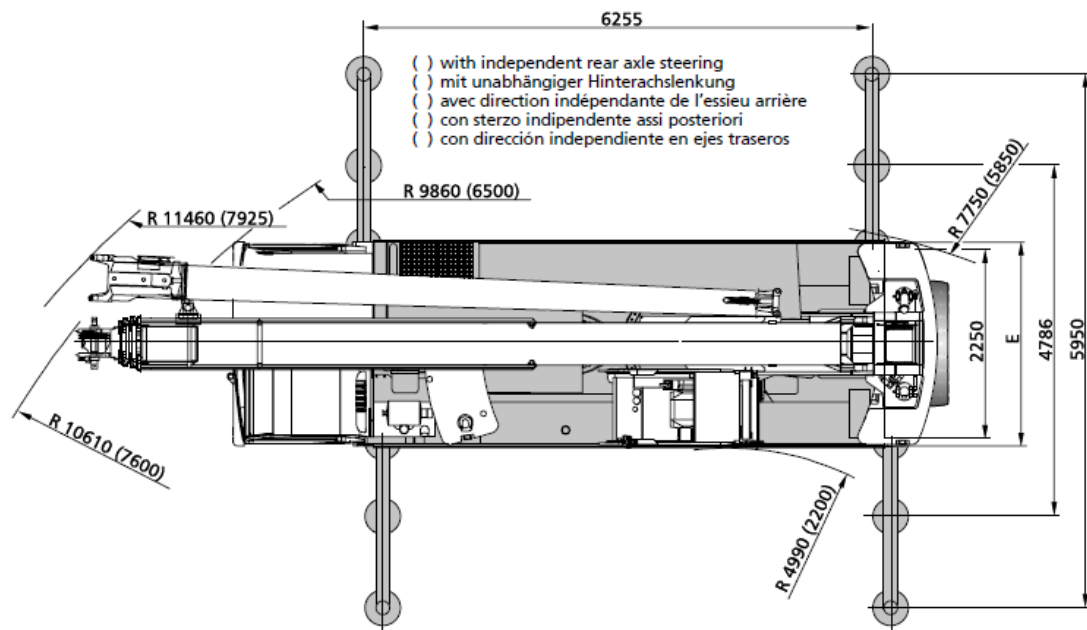
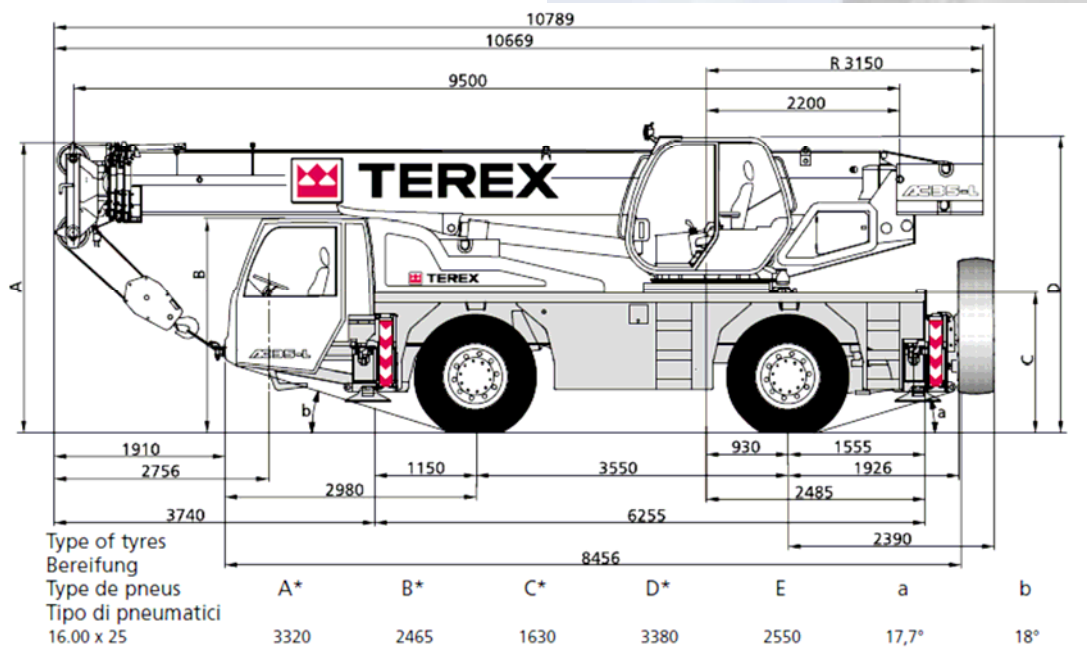


Demag AC40-2L

40 tonne All Terrain Crane



TEREX DEMAG AC40-2L DATA SHEET

| | |
|----------------------------------------------|--------------------------------------|
| Gross Vehicle Weight (as travels) | 22.0t |
| Axle Weight | 12.0t |
| Steering Axles | 2 of 2 |
| Drive Axles | 2 of 2 |
| Outrigger Floats Supplied | 0.6m x 0.6m |
| Maximum Ground Bearing Force by 1 Stabiliser | 30.0t |
| Counterweight (as Travels) | - |
| Hookblocks Supplied (& Weight) | 25t (0.33t), 15t (0.17t), 5t (0.09t) |
| Additional Hookblocks Available & Weight | - |

Demag AC40-2L

40 tonne All Terrain Crane

TEREX DEMAG AC40-2L
5.5t Counterweight – Outrigger Base 6.255m x 5.950m – 360° Slew Range – Main Boom – DIN / ISO

| Boom - | 9,5m | 13,9m | 16,5m | 19,8m | 23,5m | 26,8m | 30,5m | 34,1m | 37,4m | |
|--------|-------|-------|-------|-------|-------|-------|-------|-------|-------|--------|
| Rad. m | t | t | t | t | t | t | t | t | t | Rad. m |
| 3.0 | 32.00 | 31.20 | 25.95 | 18.95 | - | - | - | - | - | 3.0 |
| 3.5 | 27.45 | 27.45 | 23.70 | 18.35 | 18.40 | - | - | - | - | 3.5 |
| 4.0 | 24.90 | 24.90 | 22.00 | 18.60 | 17.55 | - | - | - | - | 4.0 |
| 4.5 | 22.60 | 22.60 | 20.45 | 17.95 | 16.25 | 14.45 | - | - | - | 4.5 |
| 5.0 | 20.60 | 20.60 | 19.05 | 16.75 | 15.15 | 13.85 | - | - | - | 5.0 |
| 6.0 | 17.00 | 17.00 | 17.00 | 14.70 | 13.30 | 12.20 | 10.0 | - | - | 6.0 |
| 7.0 | 14.45 | 14.50 | 14.50 | 12.75 | 11.80 | 10.90 | 9.65 | 7.45 | - | 7.0 |
| 8.0 | - | 11.50 | 11.50 | 11.50 | 10.20 | 9.75 | 8.80 | 7.45 | 5.55 | 8.0 |
| 9.0 | - | 9.50 | 9.50 | 9.50 | 8.70 | 8.55 | 8.00 | 7.05 | 5.35 | 9.0 |
| 10.0 | - | 8.00 | 8.00 | 8.00 | 7.50 | 7.40 | 7.30 | 6.70 | 5.00 | 10.0 |
| 11.0 | - | - | 6.70 | 6.70 | 6.70 | 6.50 | 6.40 | 6.15 | 4.65 | 11.0 |
| 12.0 | - | - | 6.00 | 6.00 | 6.00 | 5.70 | 5.70 | 5.60 | 4.40 | 12.0 |
| 13.0 | - | - | 5.20 | 5.20 | 5.20 | 5.20 | 5.05 | 5.00 | 4.15 | 13.0 |
| 14.0 | - | - | 4.60 | 4.60 | 4.60 | 4.60 | 4.50 | 4.50 | 3.95 | 14.0 |
| 15.0 | - | - | - | 4.00 | 4.00 | 4.00 | 4.00 | 4.00 | 3.70 | 15.0 |
| 16.0 | - | - | - | 3.60 | 3.60 | 3.60 | 3.55 | 3.60 | 3.45 | 16.0 |
| 17.0 | - | - | - | 3.20 | 3.20 | 3.20 | 3.15 | 3.20 | 3.20 | 17.0 |
| 18.0 | - | - | - | - | 2.80 | 2.80 | 2.80 | 2.80 | 2.80 | 18.0 |
| 19.0 | - | - | - | - | 2.60 | 2.60 | 2.50 | 2.60 | 2.60 | 19.0 |
| 20.0 | - | - | - | - | 2.50 | 2.50 | 2.25 | 2.35 | 2.40 | 20.0 |
| 21.0 | - | - | - | - | 2.30 | 2.30 | 2.00 | 2.25 | 2.15 | 21.0 |
| 22.0 | - | - | - | - | - | 2.00 | 1.80 | 2.00 | 1.95 | 22.0 |
| 23.0 | - | - | - | - | - | 1.80 | 1.60 | 1.80 | 1.75 | 23.0 |
| 24.0 | - | - | - | - | - | 1.70 | 1.45 | 1.70 | 1.60 | 24.0 |
| 25.0 | - | - | - | - | - | - | 1.35 | 1.50 | 1.45 | 25.0 |
| 26.0 | - | - | - | - | - | - | 1.25 | 1.40 | 1.30 | 26.0 |
| 27.0 | - | - | - | - | - | - | 1.15 | 1.30 | 1.15 | 27.0 |
| 28.0 | - | - | - | - | - | - | 1.05 | 1.20 | 1.05 | 28.0 |
| 29.0 | - | - | - | - | - | - | - | 1.10 | 0.90 | 29.0 |
| 30.0 | - | - | - | - | - | - | - | 1.00 | 0.80 | 30.0 |
| 31.0 | - | - | - | - | - | - | - | 0.90 | 0.70 | 31.0 |
| 32.0 | - | - | - | - | - | - | - | - | 0.60 | 32.0 |

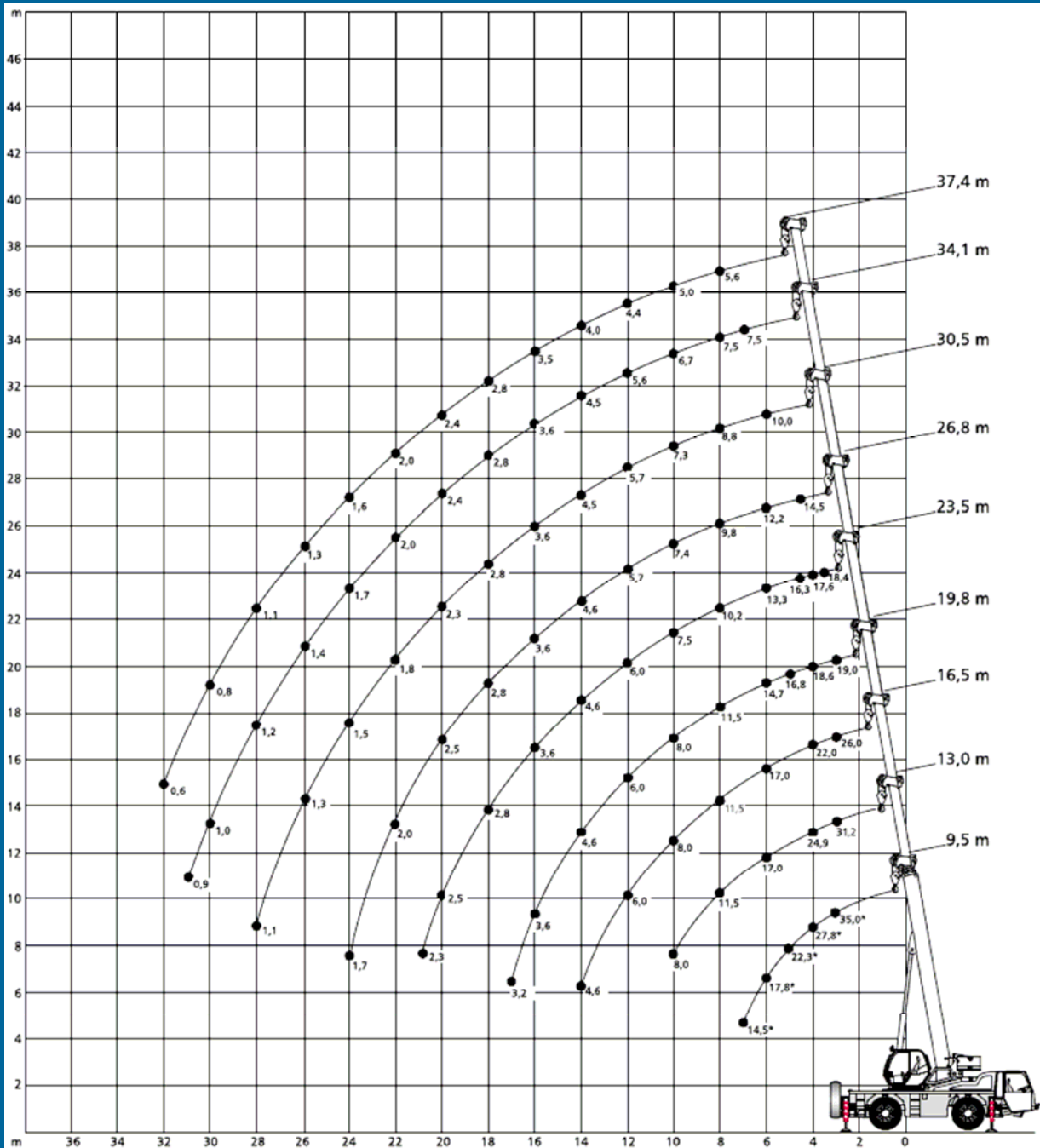
TEREX DEMAG AC40-2L
5.5t Counterweight – Outrigger Base 6.255m x 5.950m – 360° Slew Range – Main Boom & 8m Fly Jib – DIN / ISO

| Boom - | 34,1m | | | 37,4m | | | - Boom |
|---------------------|-------|------|------|-------|------|------|---------------------|
| Jib Offset - | 0° | 20° | 40° | 0° | 20° | 40° | - Jib Offset |
| Rad. m | t | t | t | t | t | t | Rad. m |
| 9.0 | 3.20 | - | - | - | - | - | 9.0 |
| 10.0 | 3.00 | - | - | 2.80 | - | - | 10.0 |
| 11.0 | 2.90 | 1.90 | - | 2.70 | - | - | 11.0 |
| 12.0 | 2.70 | 1.80 | - | 2.70 | 1.80 | - | 12.0 |
| 13.0 | 2.60 | 1.75 | 1.40 | 2.60 | 1.75 | - | 13.0 |
| 14.0 | 2.45 | 1.70 | 1.35 | 2.50 | 1.70 | 1.35 | 14.0 |
| 15.0 | 2.35 | 1.65 | 1.35 | 2.35 | 1.65 | 1.35 | 15.0 |
| 16.0 | 2.25 | 1.60 | 1.30 | 2.25 | 1.60 | 1.30 | 16.0 |
| 17.0 | 2.15 | 1.55 | 1.30 | 2.15 | 1.60 | 1.30 | 17.0 |
| 18.0 | 2.10 | 1.55 | 1.25 | 2.05 | 1.55 | 1.25 | 18.0 |
| 19.0 | 2.00 | 1.50 | 1.25 | 1.95 | 1.50 | 1.25 | 19.0 |
| 20.0 | 1.95 | 1.45 | 1.25 | 1.85 | 1.50 | 1.25 | 20.0 |
| 21.0 | 1.85 | 1.45 | 1.25 | 1.80 | 1.45 | 1.25 | 21.0 |
| 22.0 | 1.80 | 1.40 | 1.20 | 1.75 | 1.40 | 1.20 | 22.0 |
| 23.0 | 1.75 | 1.40 | 1.20 | 1.65 | 1.40 | 1.20 | 23.0 |
| 24.0 | 1.70 | 1.35 | 1.20 | 1.60 | 1.40 | 1.20 | 24.0 |
| 25.0 | 1.60 | 1.35 | 1.20 | 1.50 | 1.35 | 1.20 | 25.0 |
| 26.0 | 1.45 | 1.30 | 1.20 | 1.45 | 1.30 | 1.20 | 26.0 |
| 27.0 | 1.30 | 1.30 | 1.20 | 1.30 | 1.30 | 1.20 | 27.0 |
| 28.0 | 1.15 | 1.25 | 1.20 | 1.20 | 1.25 | 1.20 | 28.0 |
| 29.0 | 1.05 | 1.15 | 1.20 | 1.05 | 1.20 | 1.15 | 29.0 |
| 30.0 | 0.95 | 1.05 | 1.10 | 0.95 | 1.05 | 1.15 | 30.0 |
| 31.0 | 0.85 | 0.95 | 0.95 | 0.85 | 0.95 | 1.00 | 31.0 |
| 32.0 | 0.75 | 0.85 | 0.85 | 0.75 | 0.85 | 0.90 | 32.0 |
| 33.0 | 0.65 | 0.75 | 0.75 | 0.70 | 0.75 | 0.80 | 33.0 |
| 34.0 | 0.60 | 0.65 | 0.65 | 0.60 | 0.70 | 0.70 | 34.0 |
| 35.0 | 0.50 | 0.55 | 0.55 | 0.55 | 0.60 | 0.60 | 35.0 |
| 36.0 | - | - | - | - | 0.50 | 0.55 | 36.0 |
| Critical Boom Angle | 24° | 28° | 29° | 35° | 38° | 37° | Critical Boom Angle |

Demag AC40-2L

40 tonne All Terrain Crane

TEREX DEMAG AC40-2L
RANGE DIAGRAM
Main Boom



Demag AC40-2L

40 tonne All Terrain Crane

TEREX DEMAG AC40-2L
RANGE DIAGRAM
Main Boom & Fly Jib

